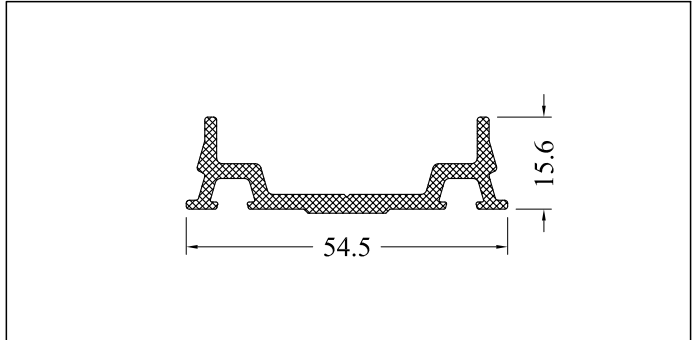
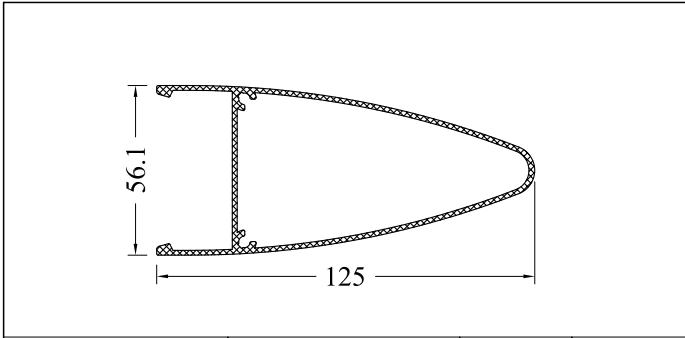


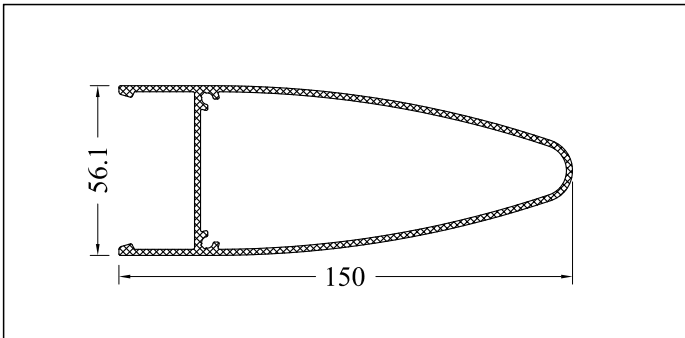
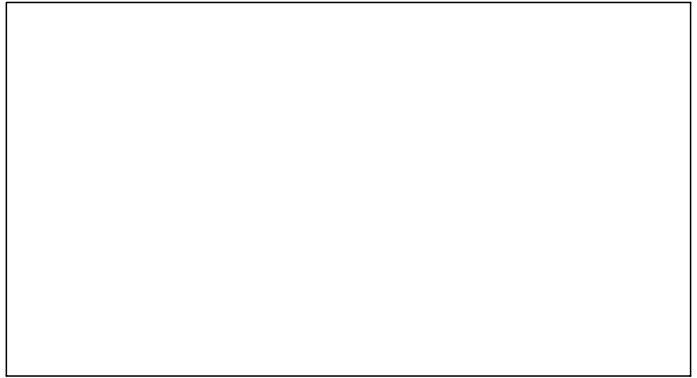
5351-20	1.255 kg / m	$I_x = 38.44$	$I_y = 19.01$
---------	--------------	---------------	---------------



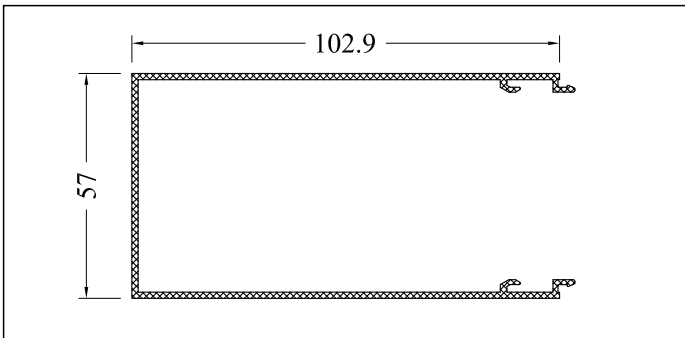
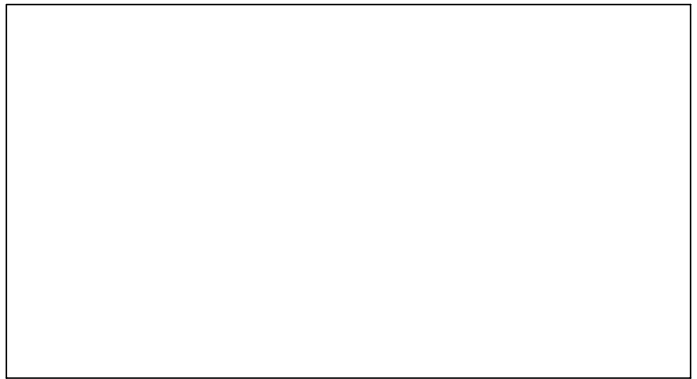
5352-00	0.605 kg / m	—	—
---------	--------------	---	---



5353-16	1.480 kg / m	$I_x = 75.80$	$I_y = 23.28$
---------	--------------	---------------	---------------



5350-20	2.090 kg / m	$I_x = 156.14$	$I_y = 35.29$
---------	--------------	----------------	---------------



THC.60	1.119 kg / m	—	—
--------	--------------	---	---

