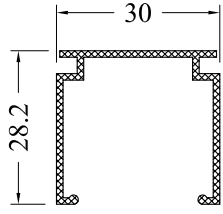
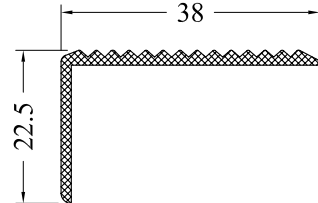
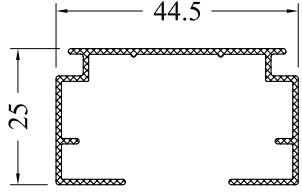
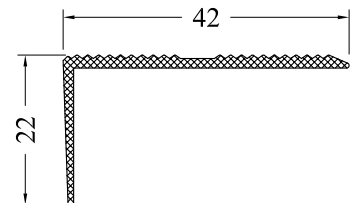
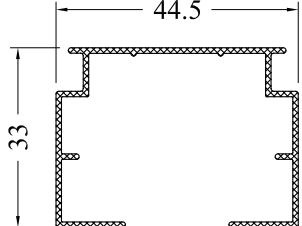
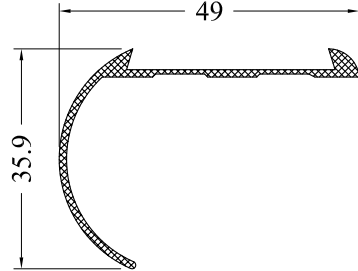
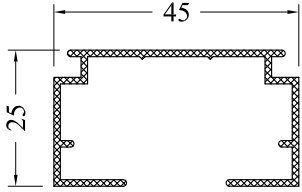
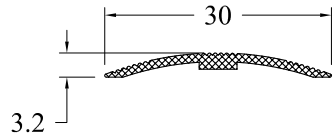
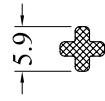
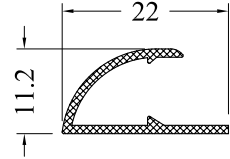


| STOR PERDE PROFİLLERİ   |   | BASAMAK PROFİLLERİ |              |   |   |      |              |   |   |
|---|---|--------------------|--------------|---|---|------|--------------|---|---|
|    |     | 2642               | 0.315 kg / m | — | — | 5201 | 0.258 kg / m | — | — |
|    |     | 4258               | 0.350 kg / m | — | — | 4467 | 0.250 kg / m | — | — |
|  |   | 4289               | 0.393 kg / m | — | — | 2657 | 0.290 kg / m | — | — |
|  |   | 2654               | 0.412 kg / m | — | — | 5105 | 0.098 kg / m | — | — |
|  |  | 4249               | 0.050 kg / m | — | — | 5125 | 0.130 kg / m | — | — |