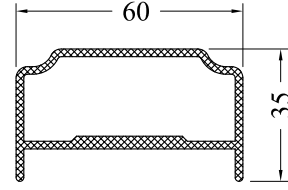


MK 18 A

0.523 kg / m

—

—

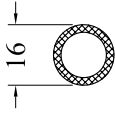


MK 19 A

1.062 kg / m

—

—

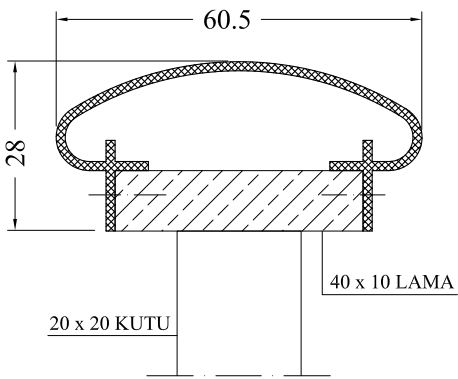


MK 40 B

0.239 kg / m

—

—

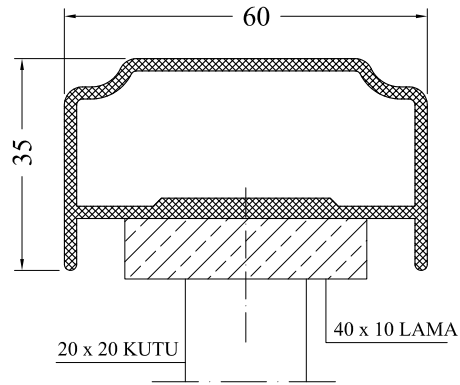


MK 18 A
0.523 Kg/m

20 x 20 KUTU

40 x 10 LAMA

MERDİVEN KÜPEŞTESİ



MK 19 A
1.062 Kg/m

20 x 20 KUTU

40 x 10 LAMA

MERDİVEN KÜPEŞTESİ