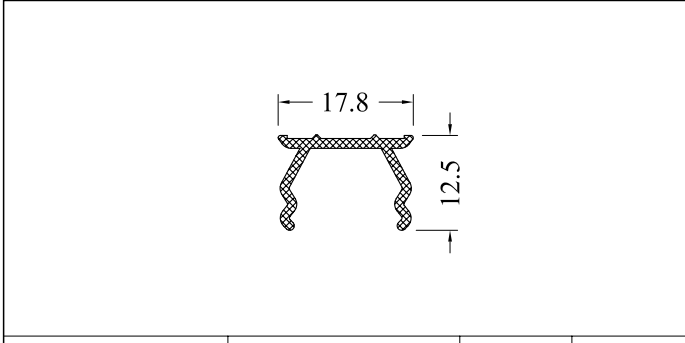
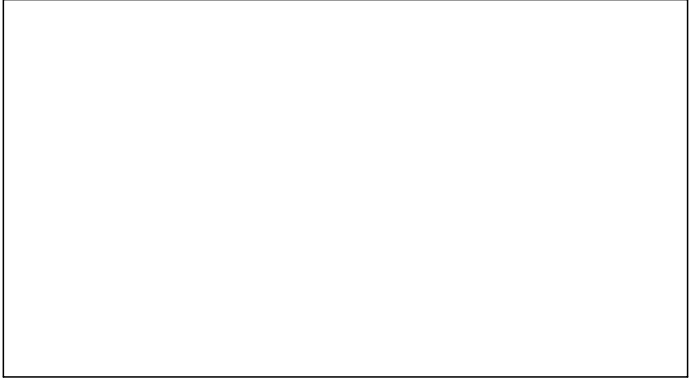


5061-15	0.285 kg / m	—	—
---------	--------------	---	---



2198-15	0.140 kg / m	—	—
---------	--------------	---	---

